

HEALEY & LORD
CLASSIC COLLECTION
DECK-MOUNTED MONOBLOC
BASIN MIXER TAP WITH POP-UP
WASTE

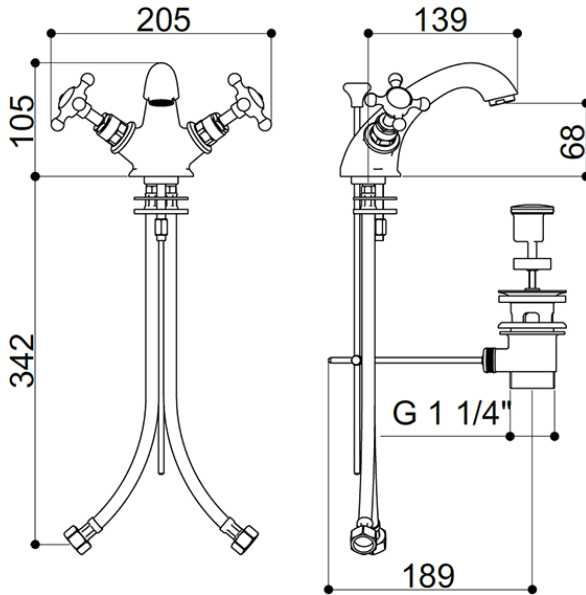
HL3001



INSTALLATION GUIDE

HEALEY & LORD HL3001 - INSTALLATION GUIDE

DIMENSIONS



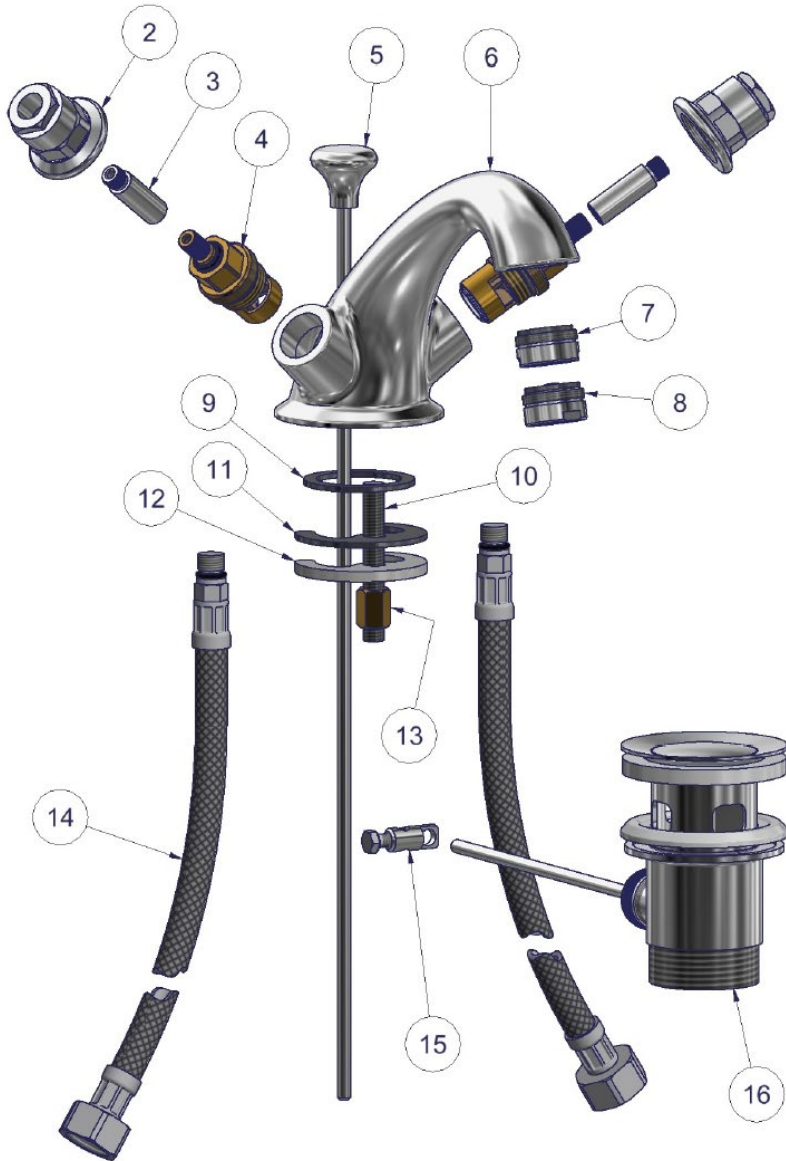
NOTES

The tap is suitable for installation on low pressure, vented or unvented high pressure and pumped systems.

These taps should be installed in compliance with any water regulations applying to the Location/State/Country in which they are being fitted.

It is good practice to flush pipework for a few minutes before installing taps to minimise the chances of debris blocking/damaging the valve.

HEALEY & LORD HL3001 - INSTALLATION GUIDE DIAGRAM



HEALEY & LORD HL3001 – INSTALLATION GUIDE

INSTALLATION

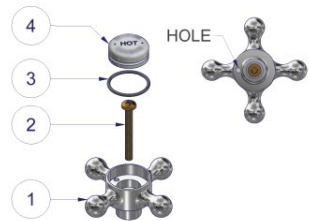
1. Screw in, by hand only, the connecting flexi tails (14) and thread (10).
2. Install the body (6) on the basin with washer (9) above the basin.
3. Secure spout with fixing kit, rubber “C” washer (11) and metal “C” washer (12) are fitted below the basin and fixed with nut (13).
4. Fit waste (16) and linkage (15) ensuring movement of knob (5) operates waste plug correctly.
5. Connect the hot and cold water supplies (the hot water is usually connected on the left hand side).
6. Turn on supplies, open both hot and cold taps allowing the water to flow for a few minutes to check all joints and connections.

MAINTENANCE

Should a tap drip when fully turned off, switch off the water supplies and remove the cartridge. This is done by removing the handle, unscrewing the cartridge cover to reveal the cartridge hexagon.

To remove the handle, carefully insert tool such as small hexagon key into hole in base of handle (1) to push out index (4), use screwdriver to remove screw (2) and then pull off handle (1).

Check that there is no debris, calcium or scale build up. The cartridge can be carefully cleaned by soaking in a descalant. If damage has occurred, a new complete cartridge will be required.



HEALEY & LORD HL3001 – INSTALLATION GUIDE

AFTER INSTALLATION

After installation, we strongly recommend that the fitting be securely covered to prevent contamination or damage by any form of building materials such as paint, plaster, tile adhesive, grout or sealants until all building and finishing work is completed.

CLEANING

Tap condition should be maintained by wiping with a soft, damp, clean cloth regularly, and polishing using a soft, dry duster. Do not use abrasive cleaning products or polishes, or abrasive materials such as scouring pads.