

HEALEY & LORD
CLASSIC COLLECTION
DECK-MOUNTED 3 TAP HOLE
BASIN MIXER TAP WITH POP-UP
WASTE

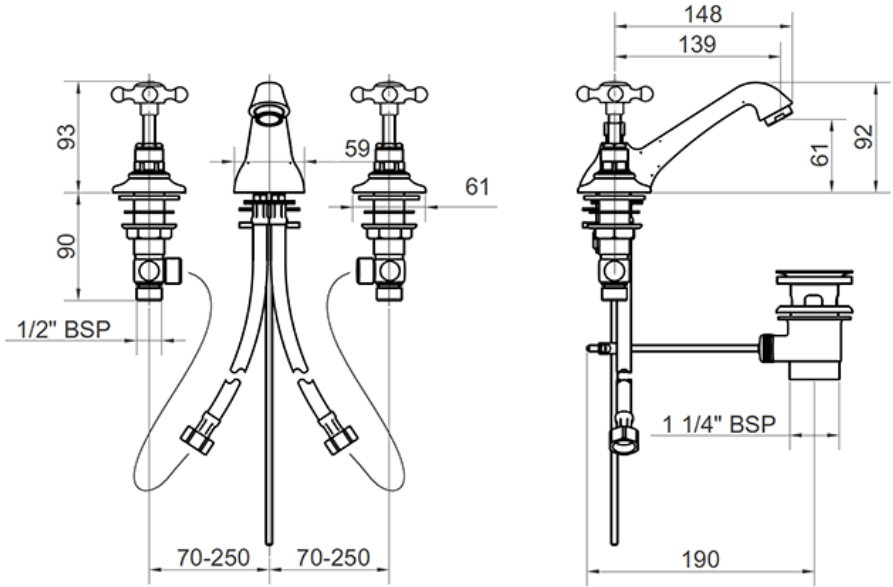
HL3003



INSTALLATION GUIDE

HEALEY & LORD HL3003 - INSTALLATION GUIDE

DIMENSIONS



NOTES

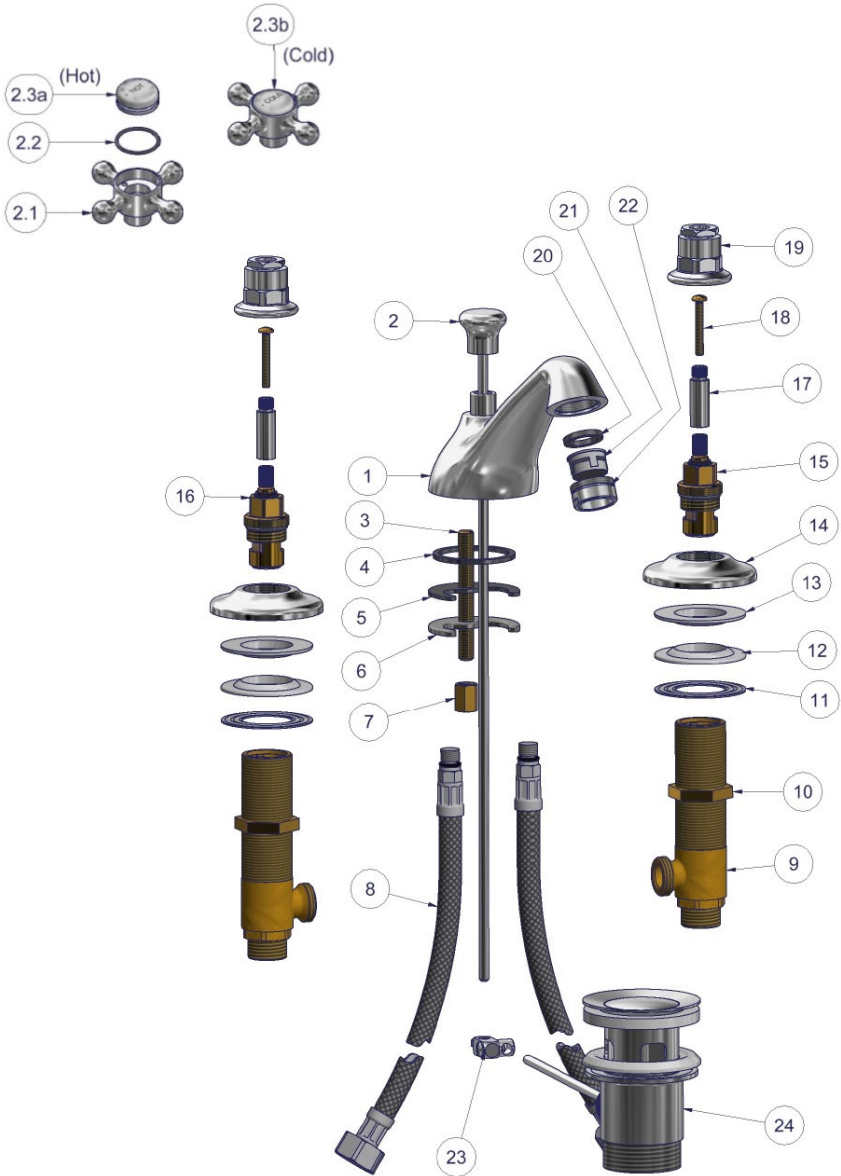
The hot & cold supply tails are threaded 1/2" BSP. It is recommended that wherever possible, this fitting is assembled onto the basin prior to the basin being positioned on site.

The taps are suitable for installation on low pressure, vented or unvented high pressure and pumped systems.

These taps should be installed in compliance with any water regulations applying to the Location/State/Country in which they are being fitted.

HEALEY & LORD HL3003 - INSTALLATION GUIDE

DIAGRAM



INSTALLATION

1. Remove handles, shields (19) & bezels (14) from the side bodies (9). Screw in fixing stud (3) & hand tighten flexi connectors (8).
2. Pass the spout centre body (1) through the sanitary ware ensuring that the washer (4) is between the spout and the sanitary ware. Fasten the spout firmly using locknut (7) ensuring rubber washer (5) & metal washer (6) are between the sanitary ware and this locknut.
3. Pass the side bodies (9) through the sanitary ware from underneath ensuring that a metal washer (11) and washer (12) are between the locknut (10) and the underside of the sanitary ware. Screw the bezels (14) on the side bodies ensuring that a washer (13) is between the bezel and the sanitary ware. The top of the bezels (14) should be in line with the top of the thread of the side bodies (9).
4. The flexi connectors (8) can now be connected to the horizontal thread of the side bodies (9). The side bodies can be rotated in the basin to get the best possible fit with the connecting tubes without kinking the tubes. The spout and side bodies should now be fully tightened onto the sanitary ware.
5. Re-fit shields (19) and handles.
6. Fit the pop-up waste assembly (24) with the swivel arm pointing to the rear. Fit pop-up rod (2) through the hole in the spout and attach the swivel arm with the screw locked adjuster (23). Adjust the lift of the waste plug to suit. Secure basin in place and connect hot and cold supplies to bottom threads of side bodies (9).
7. Turn on the hot and cold supplies and check for water soundness.

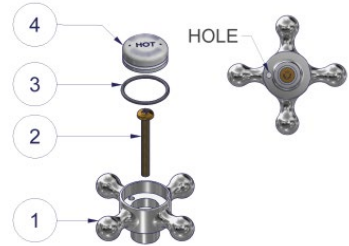
HEALEY & LORD HL3003 – INSTALLATION GUIDE

MAINTENANCE

Should a tap drip when fully turned off, turn off the water supplies and remove the cartridge. This is done by removing the handle, unscrewing the cartridge cover (19) to reveal the cartridge (15 & 16). Unscrew the cartridge and check that there is no debris, calcium or scale build up.

To remove the handle, carefully insert tool such as small hexagon key into hole in base of handle (1) to push out index (4), use screwdriver to remove screw (2) and then pull off handle (1).

The cartridge can be carefully cleaned by soaking in a descalant. If damage has occurred a new complete cartridge will be required.



AFTER INSTALLATION

After installation, we strongly recommend that the fitting be securely covered to prevent contamination or damage by any form of building materials such as paint, plaster, tile adhesive, grout or sealants until all building and finishing work is completed.

CLEANING

Tap condition should be maintained by wiping with a soft, damp, clean cloth regularly, and polishing using a soft, dry duster. Do not use abrasive cleaning products or polishes, or abrasive materials such as scouring pads.