

HEALEY & LORD

CLASSIC COLLECTION CONCEALED THERMOSTATIC SHOWER VALVE WITH RAIL-MOUNTED HANDSHOWER

HL3502



Healey & Lord Classic Collection taps and showers are handmade in Great Britain to deliver a high quality, timeless range of brassware, designed to co-ordinate perfectly with the Healey & Lord Classic Collection range of sanitaryware and accessories.

The Healey & Lord Classic Collection Concealed Thermostatic Shower Valve with Rail-Mounted Handshower includes a concealed thermostatic shower valve, 481mm riser rail, and a rail-mounted 66mm diameter handshower with porcelain handle. The shower valve has a single outlet with a flow rate of 20.0l/min at 1.0 bar pressure.

This shower valve is available in a Chrome, Nickel or unlacquered Polished Brass finish, and has been designed to complement other taps and accessories within the Healey & Lord Classic Collection.

Dimensions: 170 x 155 x 230 mm (W x D x H)

Warranty: 10 Years on Brassware – against manufacturing defects

OPTIONS

METAL FINISH



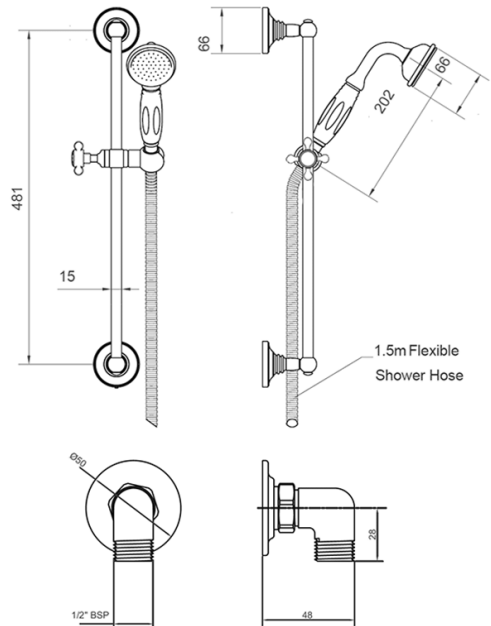
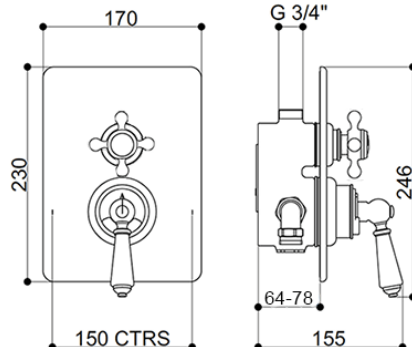
CHROME
CP



NICKEL
NI



POLISHED
BRASS
PB



Need more information?

Call us on **01603 488709** or
e-mail us at sales@healeyandlord.co.uk