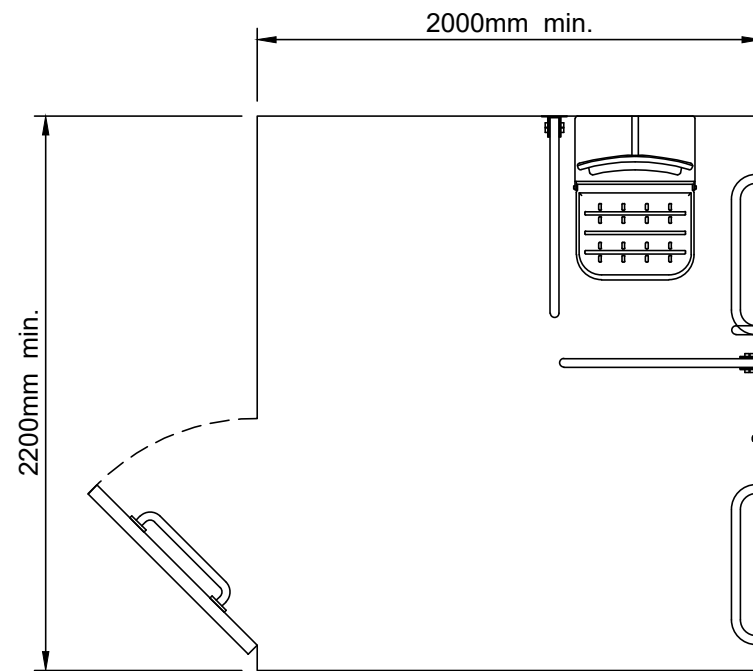
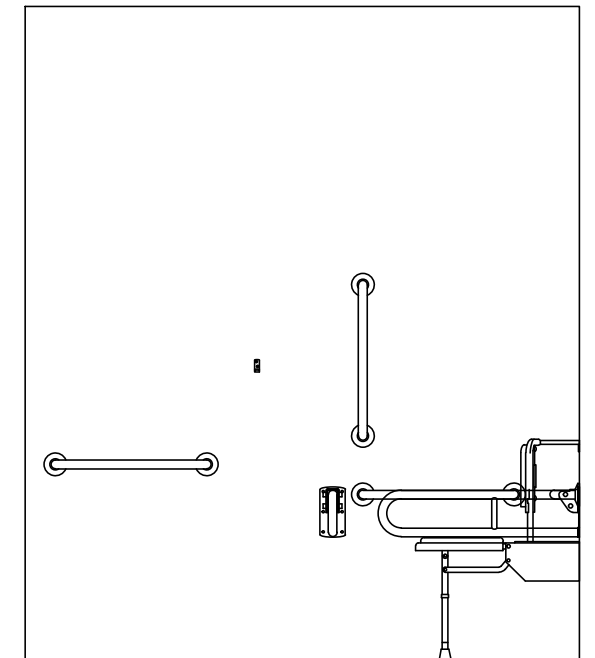
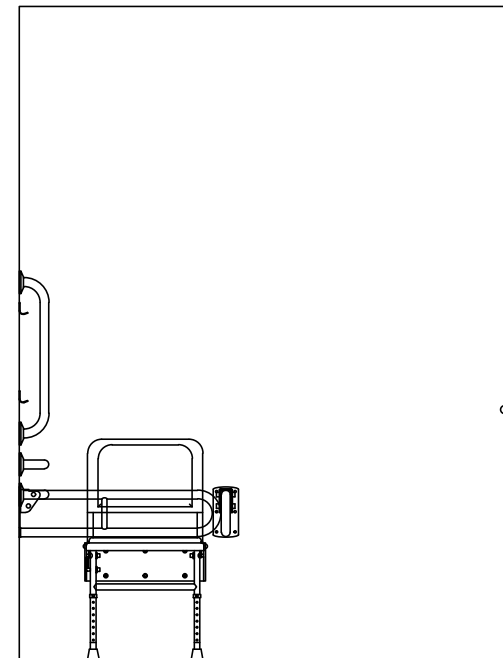
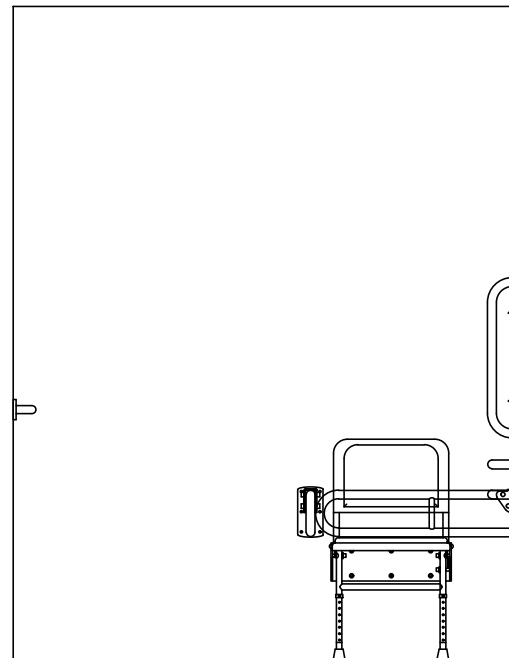
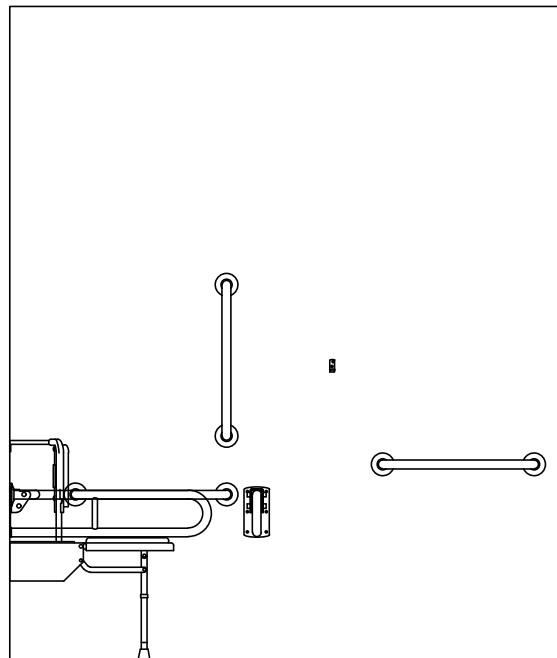
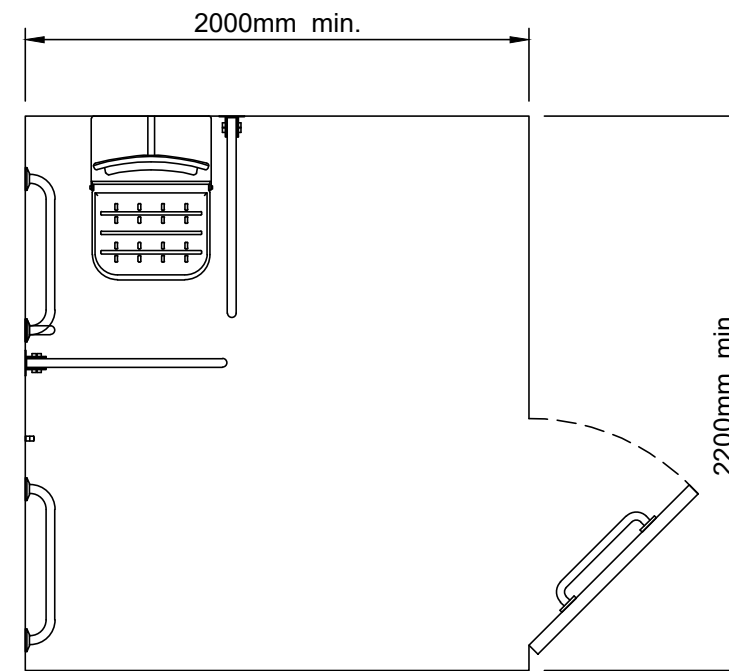


Right Hand



Left Hand



COMMERCIAL RANGE DOC M SHOWER PACK WITH SEAT AND GRAB RAILS

Part numbers - HL1177BK-LH, HL1177BK-RH & HL1177SS-LH, HL1177SS-RH

HEALEY & LORD
www.healeyandlord.co.uk

E: sales@healeyandlord.co.uk
MAG Group Building, Vulcan Road South, Norwich, Norfolk, NR6 6AF

The information contained in this drawing is the sole property of Healey and Lord Limited. Any reproduction in part or as a whole without the written permission of Healey and Lord Limited is strictly prohibited.