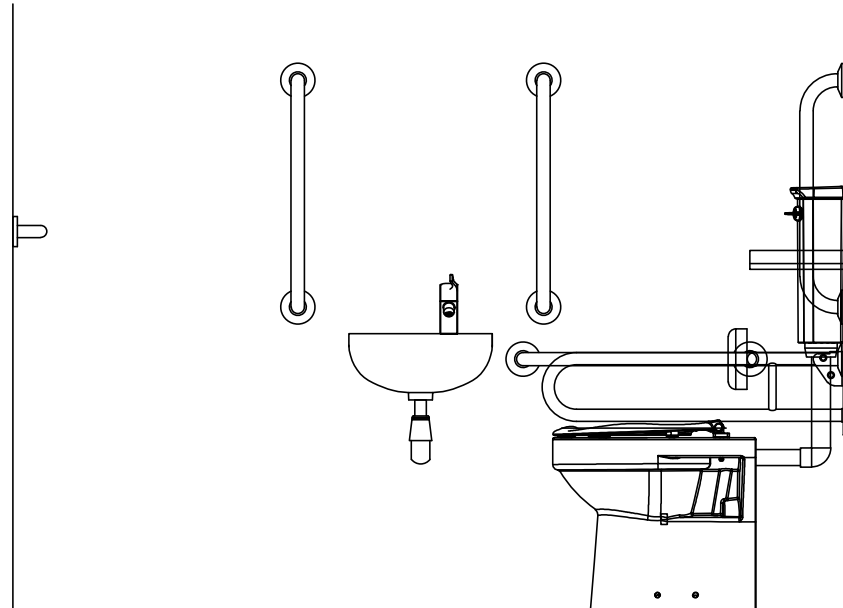
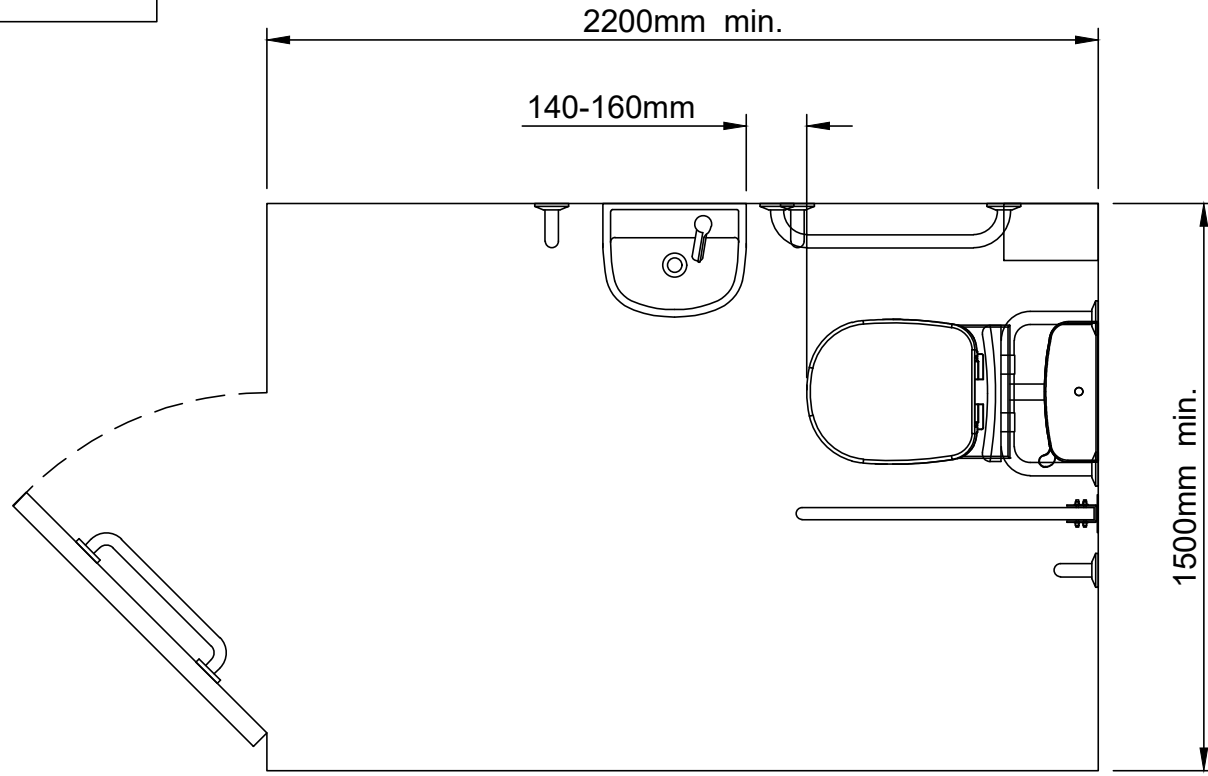
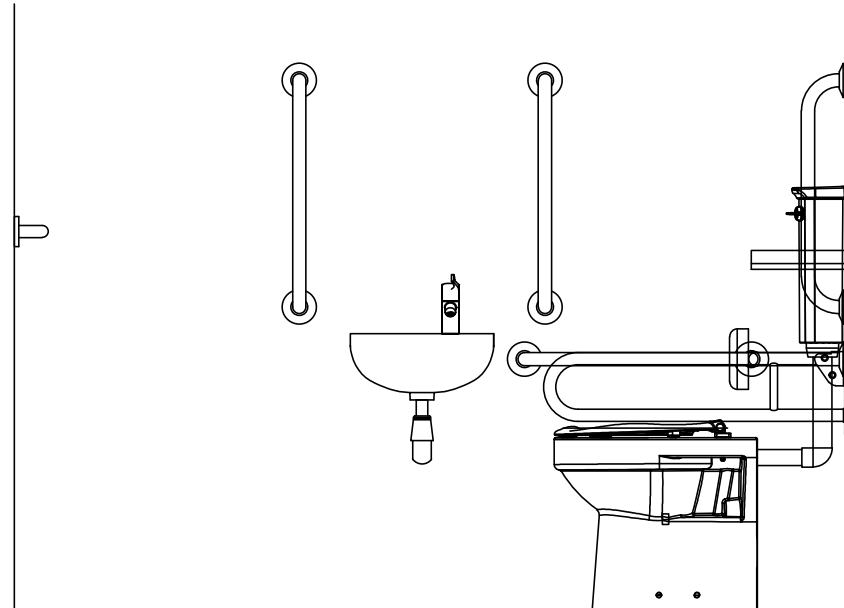
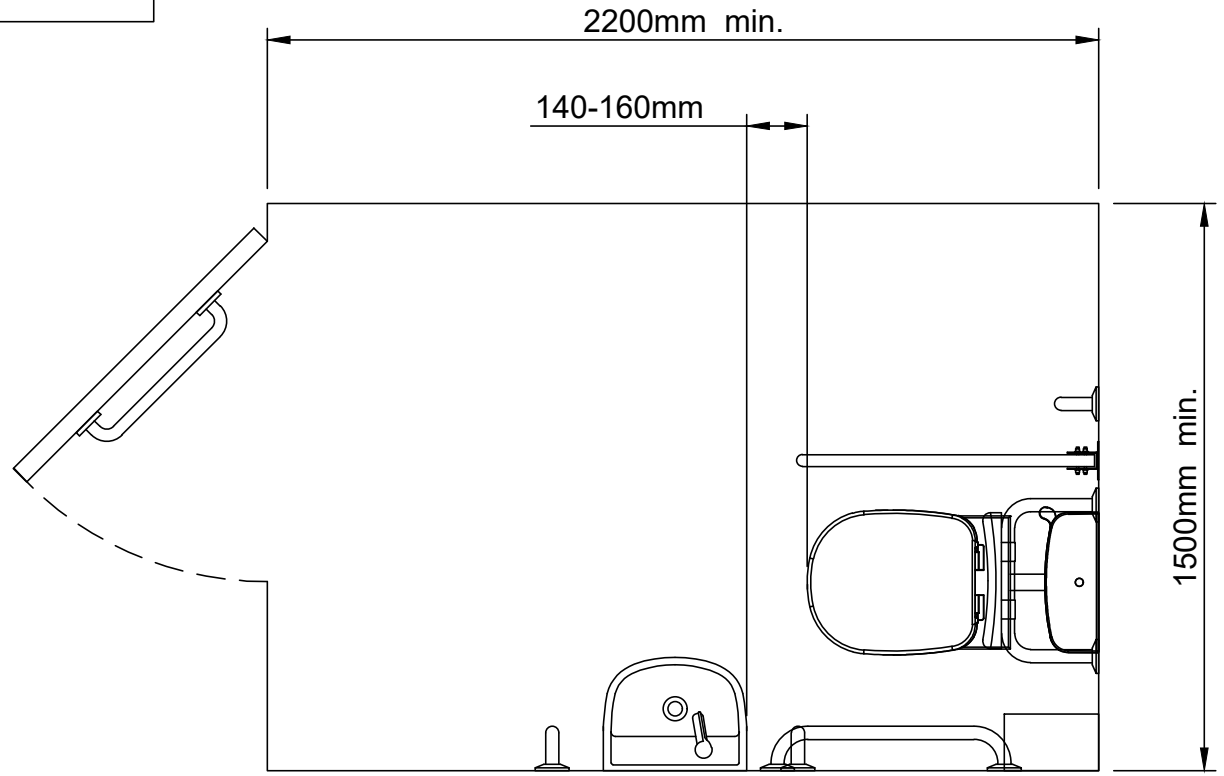


Right Hand



Left Hand



### COMMERCIAL RANGE DOC M LOW LEVEL WC PACK

Part numbers - HL1173BK-LH, HL1173BK-RH & HL1173SS-LH, HL1173SS-RH / HL1174BK-LH, HL1174BK-RH & HL1174SS-LH, HL1174SS-RH

# HEALEY & LORD

[www.healeyandlord.co.uk](http://www.healeyandlord.co.uk)

E: [sales@healeyandlord.co.uk](mailto:sales@healeyandlord.co.uk)

MAG Group Building, Vulcan Road South, Norwich, Norfolk, NR6 6AF

The information contained in this drawing is the sole property of Healey and Lord Limited. Any reproduction in part or as a whole without the written permission of Healey and Lord Limited is strictly prohibited.