

HEALEY & LORD
MODERNE DESIGNER
CERAMIC URINAL
BACK INLET

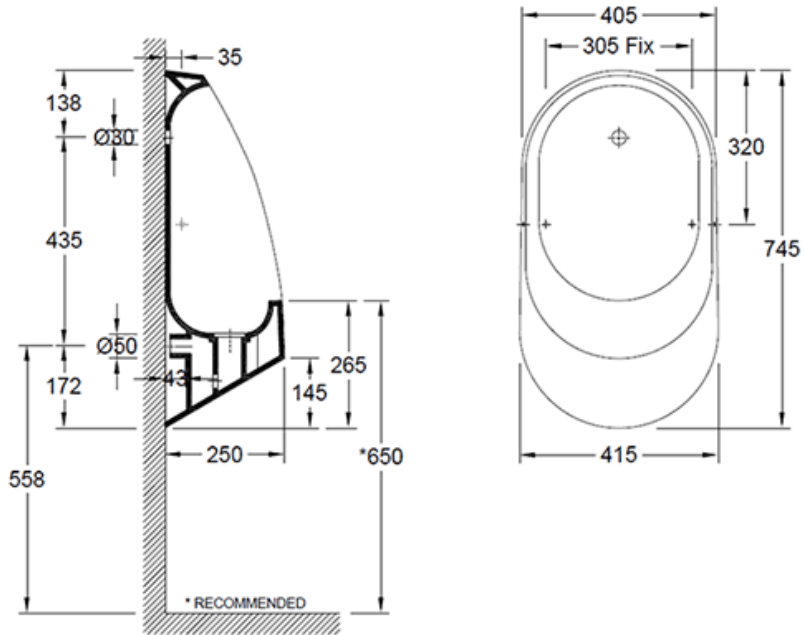
HL1400



INSTALLATION GUIDE

HEALEY & LORD HL1400 - INSTALLATION GUIDE

DIMENSIONS



NOTES

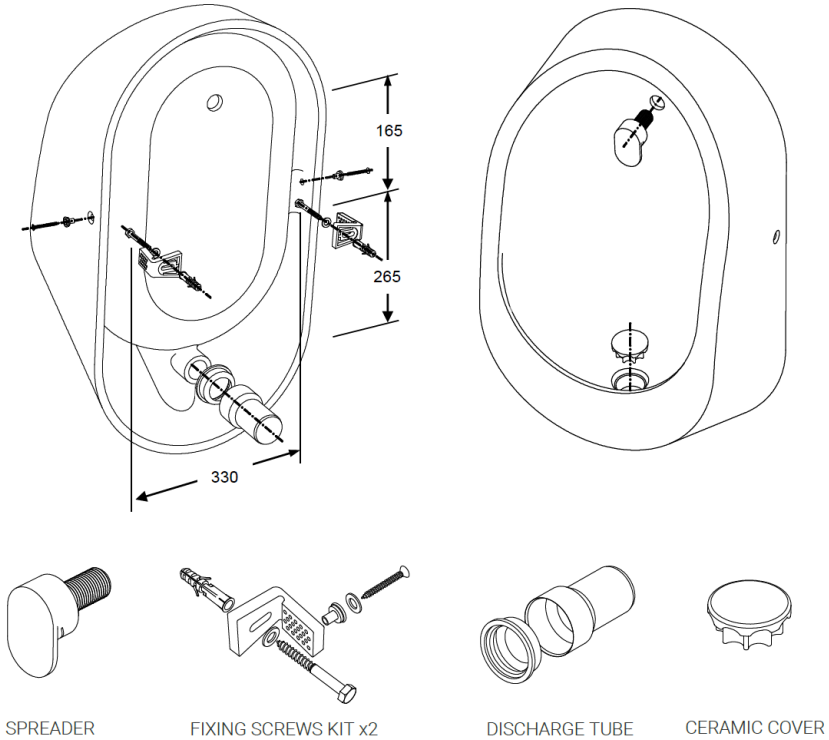
The water inlet pipe must be aligned with the wall.

The height of the outlet to the floor is a recommendation.

The urinal should be installed with a wallbox flowmeter.

HEALEY & LORD HL1400 – INSTALLATION GUIDE

DIAGRAM



INSTALLATION

1. Mark on the wall, according to the installation height required, the screw locations
2. Install the screws in the required locations
3. Apply the discharge tube
4. Attach the urinal to the wall
5. Thread the spreader into the water inlet pipe (can be cut if necessary)
6. Apply glue to the spreader tube and threading
7. Ensure the spreader is in the correct position