

HEALEY & LORD
ROTUNDA DESIGNER
CERAMIC URINAL
BACK INLET

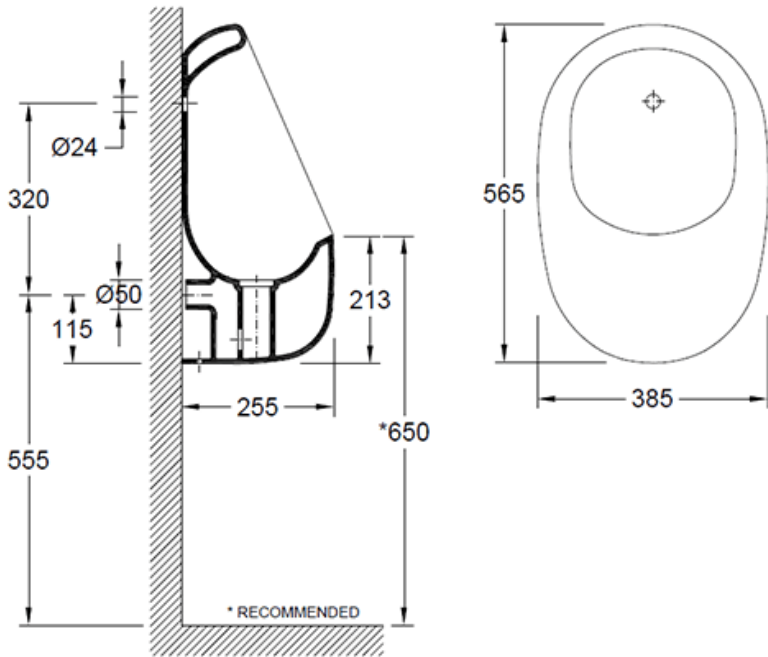
HL1420



INSTALLATION GUIDE

HEALEY & LORD HL1420 - INSTALLATION GUIDE

DIMENSIONS



NOTES

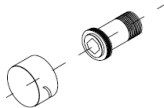
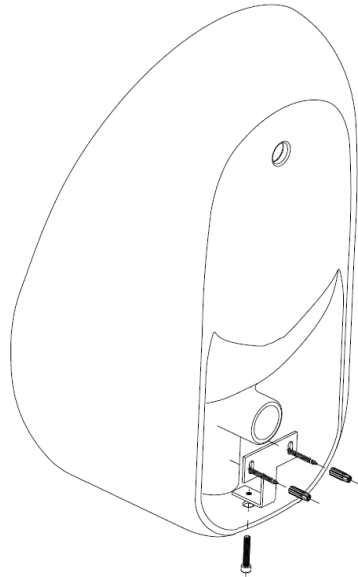
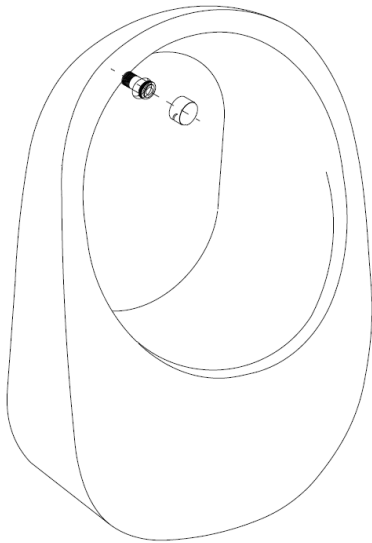
The water inlet pipe must be aligned with the wall.

The height of the outlet to the floor is a recommendation.

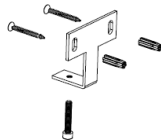
The urinal should be installed with a wallbox flowmeter.

HEALEY & LORD HL1420 – INSTALLATION GUIDE

DIAGRAM



SPREADER



FIXING KIT



DISCHARGE TUBE



CERAMIC COVER

INSTALLATION

1. Mark on the wall, according to the installation height required, the screw locations
2. Apply the discharge tube
3. Attach the urinal to the wall
4. Thread the spreader into the water inlet pipe (can be cut if necessary)
5. Ensure the spreader is in the correct position