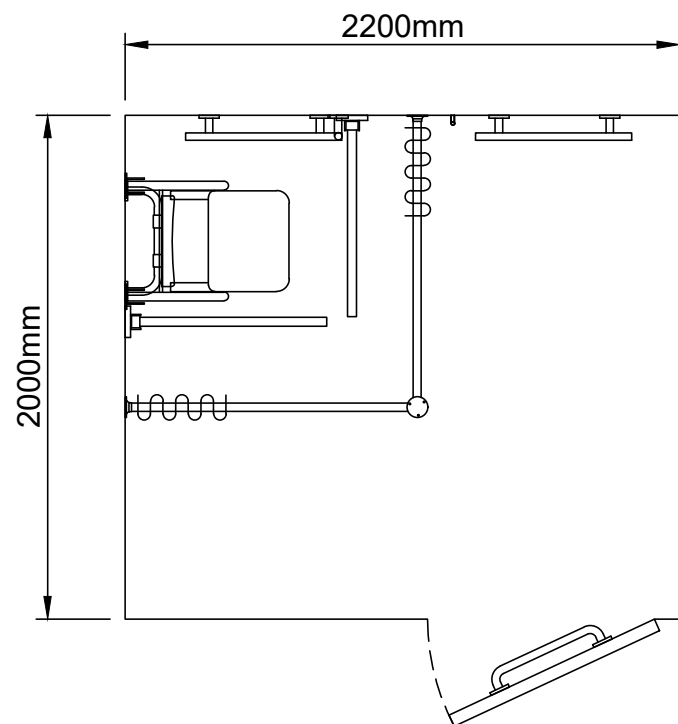
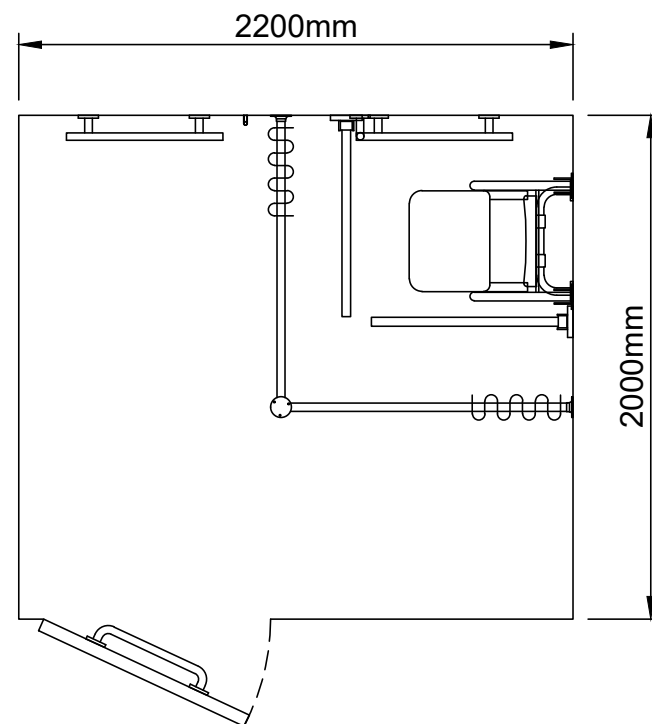


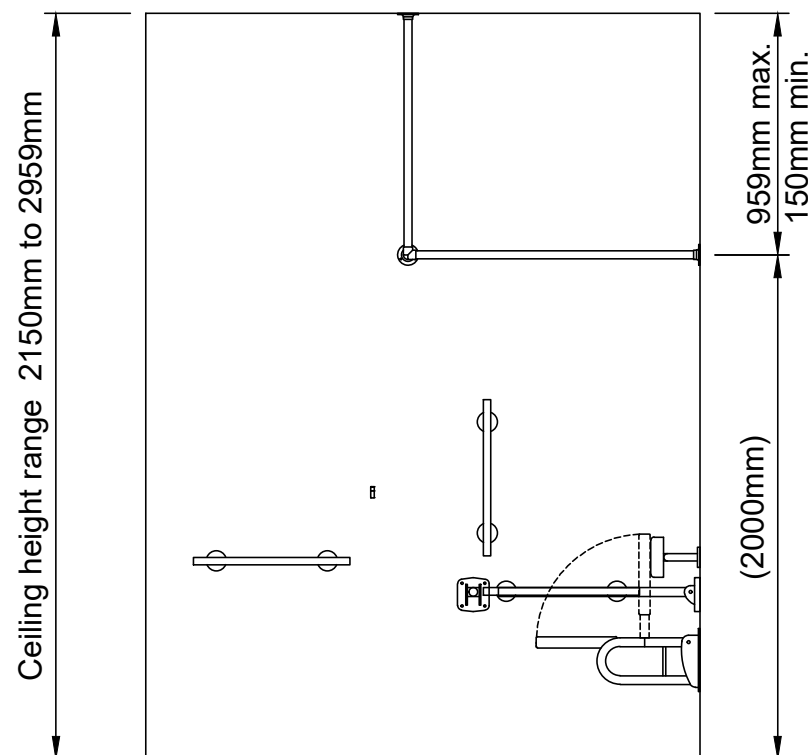
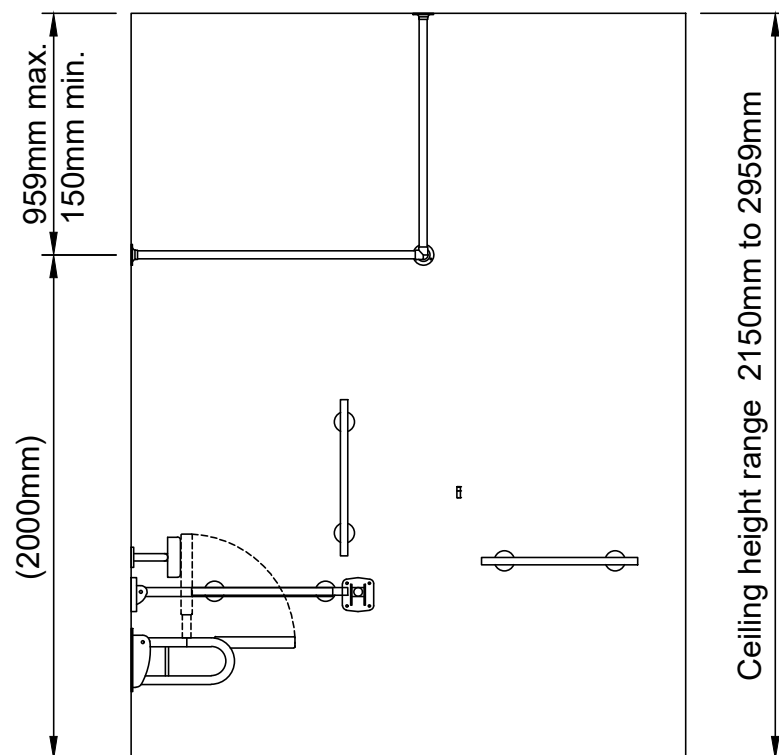
Right Hand



Left Hand



Note:
Curtains omitted
from elevation
for clarity



Note:
Curtains omitted
from elevation
for clarity

**BRASS/MATT BLACK
MODERN DOC M/DDA DISABLED SHOWER PACK-SEAT,RAILS,SWING ARM,HOOK,CURTAIN RAIL,CURTAINS**

Part numbers - HL2230BB, HL2231BB, HL2231BK, DTUK7030-BB, DTUK7031-BB, DTUK7031-BK (For Left Hand add -LH / for Right Hand add -RH)

HEALEY & LORD
www.healeyandlord.co.uk

E: sales@healeyandlord.co.uk

MAG Group Building, Vulcan Road South, Norwich, Norfolk, NR6 6AF

The information contained in this drawing is the sole property of Healey and Lord Limited. Any reproduction in part or as a whole without the written permission of Healey and Lord Limited is strictly prohibited.