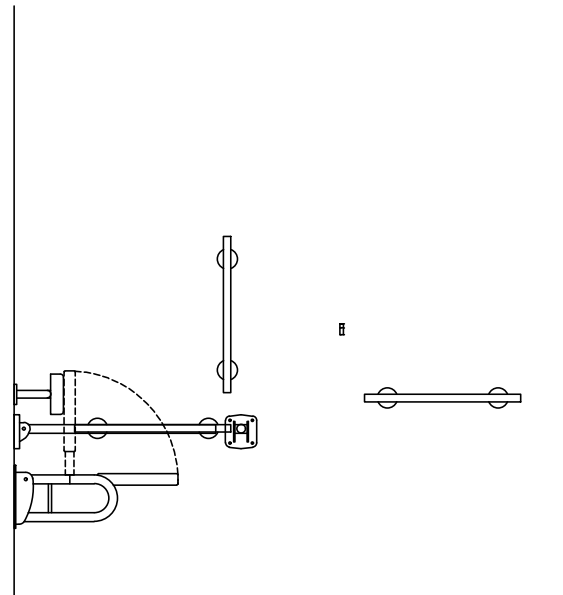
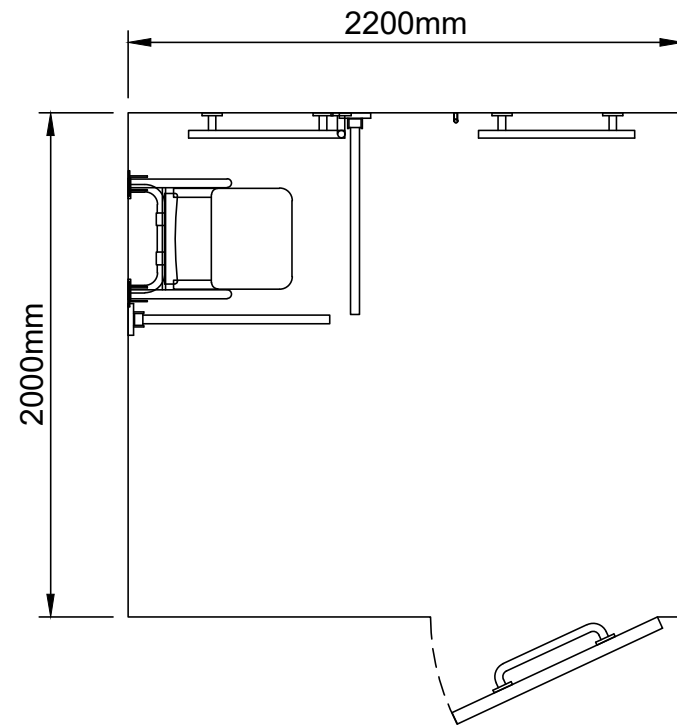
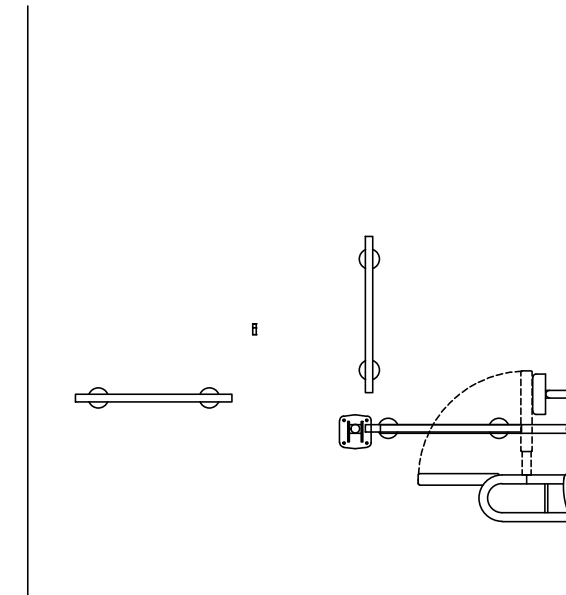
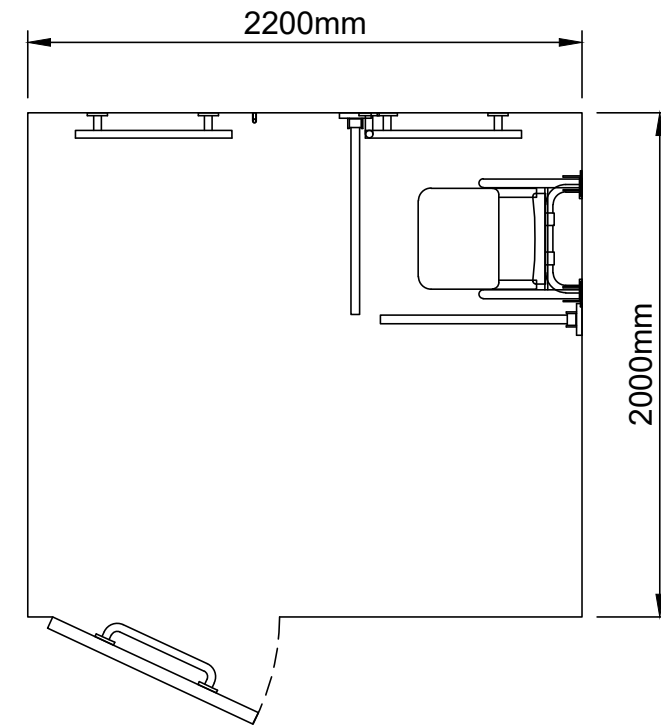


Right Hand



Left Hand



**CHROME**

**MODERN DOC M/DDA DISABLED SHOWER PACK-SEAT,RAILS,SWING ARM & HOOK**

Part numbers - HL2228CP, HL2229CP, DTUK7028-CP, DTUK7029-CP (For Left Hand add -LH / for Right Hand add -RH)

**HEALEY & LORD**

[www.healeyandlord.co.uk](http://www.healeyandlord.co.uk)

E: [sales@healeyandlord.co.uk](mailto:sales@healeyandlord.co.uk)

MAG Group Building, Vulcan Road South, Norwich, Norfolk, NR6 6AF

The information contained in this drawing is the sole property of Healey and Lord Limited. Any reproduction in part or as a whole without the written permission of Healey and Lord Limited is strictly prohibited.