

HEALEY & LORD

Florida Urinal Back Inlet Installation Guide

Version 1.1 3rd April 2018



Installation Guide

For

Healey & Lord Florida Urinals

Back Inlet Version

Typically Used With Concealed Pipework

PLEASE READ BEFORE INSTALLATION:

Urinal installation should only be carried out by a competent, suitably qualified plumber. Any control systems should be installed by a qualified electrician.

HEALEY & LORD

Florida Urinal Back Inlet Installation Guide

Version 1.1 3rd April 2018

Please carefully inspect the new urinal for any damage before fitting.

Please note: All damaged items must be reported within 24 hours of receipt of delivery of the goods

We would recommend that installers read and familiarise themselves with the whole of this guide prior to commencing installation.

Please handle this product with care. Vitreous china can shatter or chip if the product is handled carelessly.

Healey & Lord Ltd reserves the right to make revisions in the design of the products without notice.

Each Florida urinal is packed in an individual box, with a waste kit and inlet connector if ordered with the urinal. Florida Urinals are supplied as either top or rear/back water inlet – these instructions relate to the rear/back inlet Healey & Lord Florida Urinal. All Healey & Lord Florida urinals have an integrated P trap waste and are supplied with waste pipe connections.

Important Safety Notes:

It is the installer's responsibility to ensure the wall is of sufficient weight bearing capacity and that appropriate fixings are used, based on the wall material to provide adequate support and a good fixing.

Florida urinals are supplied with a standard wall fixing kit, but this may not be suitable for all wall types. In this instance we would recommend the installer obtains suitable fixings and discards the fixings supplied.

Please note: These instructions are only appropriate to Healey & Lord Florida Urinals and are not suitable for any other urinal.

INSTALLATION COMPONENTS – Back Inlet Healey & Lord Florida Urinal

Please ensure all assembly components identified on the following page are present and that you are familiar with their application prior to starting the installation.

HEALEY & LORD

Florida Urinal Back Inlet Installation Guide

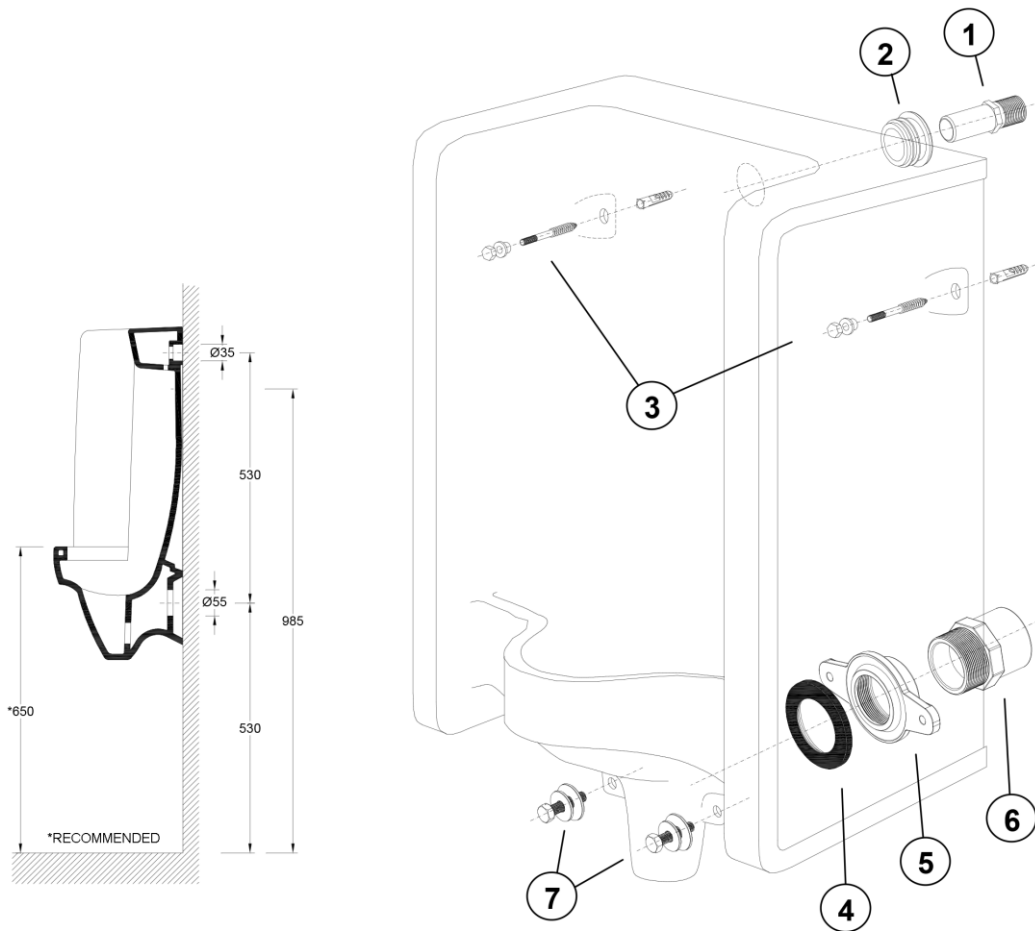
Version 1.1 3rd April 2018

URINAL INSTALLATION – BACK / REAR INLET VERSION

Caution: Please note there is a risk of personal injury or product damage if the product is not handled with care. Vitreous china can shatter or chip if the product is handled carelessly, creating very sharp edges.

Caution: Please note there is a risk of product damage if the fixing bolts are over tightened.

Please refer to installation elements 1 to 7 provided with the Florida Back Inlet Urinal.



- 1 – INLET PIPE (1x)
- 2 – INLET SEALING RUBBER (1x)
- 3 – FIXING KIT (2x)
- 4 – WASTE SEALING RUBBER (1x)

- 5 – WASTE PIPE CONNECTION (1x)
- 6 – WASTE PIPE (1x)
- 7 – WASTE FIXING SCREWS (2x)

ONCE THE INSTALLATION IS COMPLETE

Visually check that all pipework is connected & secured. Turn the water supply on, flush the entire installation and check for leaks.