

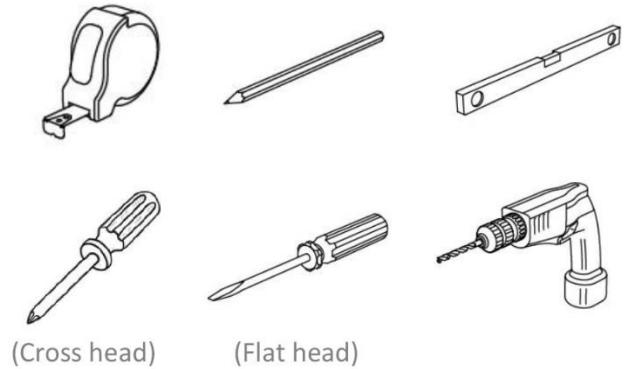
HEALEY & LORD

CLASSIC/MODERN WASHSTAND INSTALLATION GUIDE

Inspection and Preparation

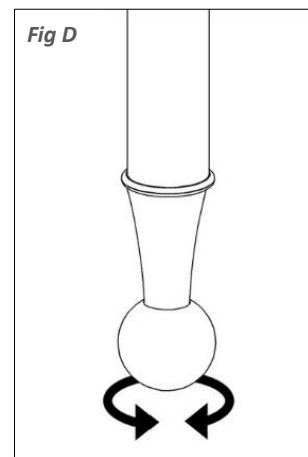
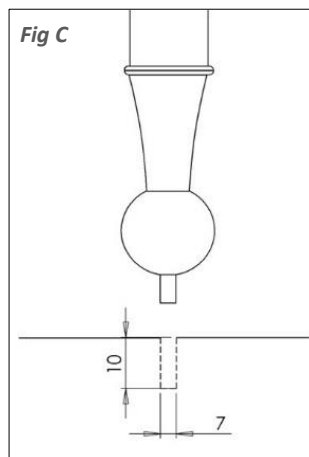
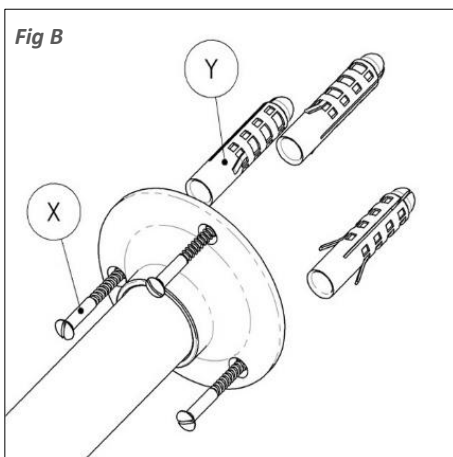
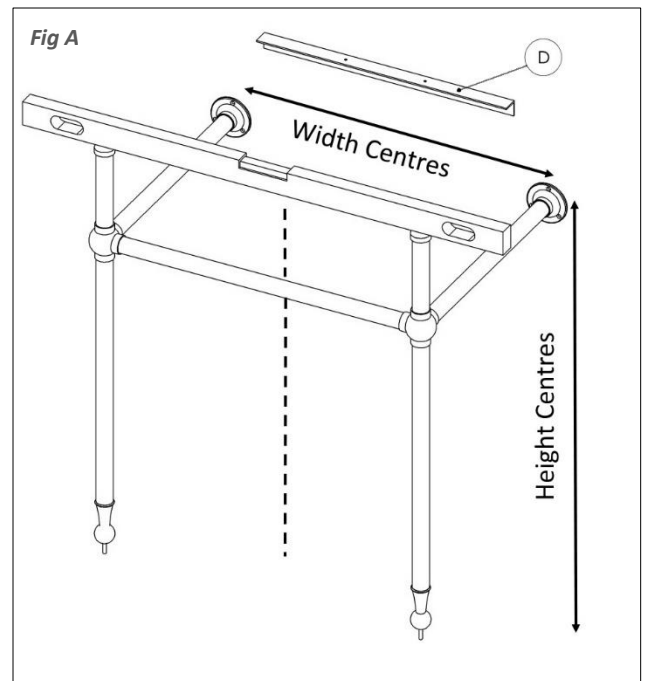
- Upon receiving your washstand, please inspect the packaging for any damage.
- If any packaging damage is visible, please take a photograph prior to opening the box.
- Open the box and remove the components. Taking care that the envelope containing screws is not thrown away. Carefully unwrap each component and inspect for damage. If any damage is found, please contact us.
- Ensure that all components are included in the box.
- Due to risk of damaging surface or stripping threads - do not use power tools for securing fixtures

Tools required:



Positioning and fixing

- To mark the positions for the wall screws, begin by placing the washstand against the wall. (**Fig A**)
- Place a spirit level on top of the legs and adjust the feet accordingly until level.
- Mark a vertical centre line (for the basin waste) and lines equally either side for the washstand legs.
- Using a pencil, mark the screw holes through the wall fixing flange.
- Drill Holes in wall using 5.5mm drill bit and push Rawl plugs (**Y**) in to holes.
- Floor location pins should be used for strength and stability. Floor holes should be prepared then drilled with a 7mm Drill bit, 10mm deep. (**Fig C**)
- Place the washstand in the correct position using the screws provided (**X**) and secure to the wall.
- If you are using the load bearing support bracket (**D**) position in the centre, mark and secure at the appropriate height.
- To make minor adjustments after installing, twist the ball on the foot (**Fig D**).



HEALEY & LORD

CLASSIC/MODERN WASHSTAND INSTALLATION GUIDE

2-Leg



Classic 2-Leg

- A. Side Leg x2
- B. Front Rail x 1
- C. Side Rail x2
- D. Support Bracket x1
- X. Wall Screws x 6
- Y. Rawl Plug x6
- Z. M3 Screws x4

4-Leg



Classic 4-Leg

- A. Side Leg x2
- B. Front Rail x 1
- C. Side Rail x2
- D. Support Bracket x1
- E. Back Side Leg x2
- X. Wall Screws x 6
- Y. Rawl Plug x6
- Z. M3 Screws x4

Assembly Method

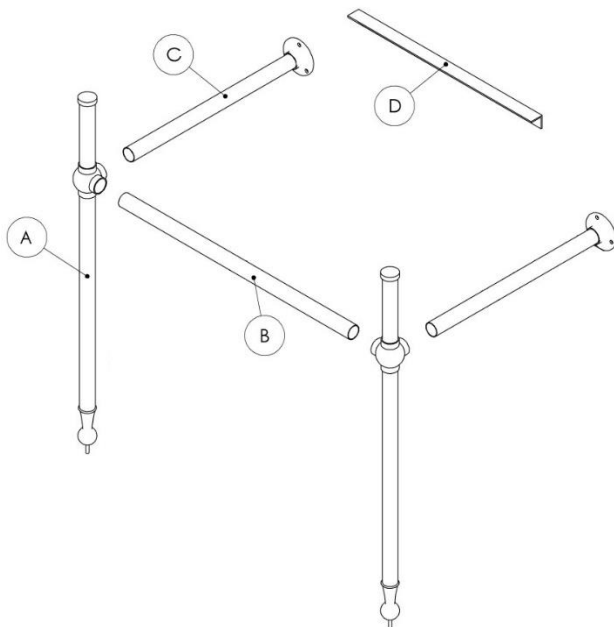
Place the parts on a protective sheet to avoid damaging any of the surface finishes during assembly.

Clean cotton gloves recommended to avoid handling stains during assembly.

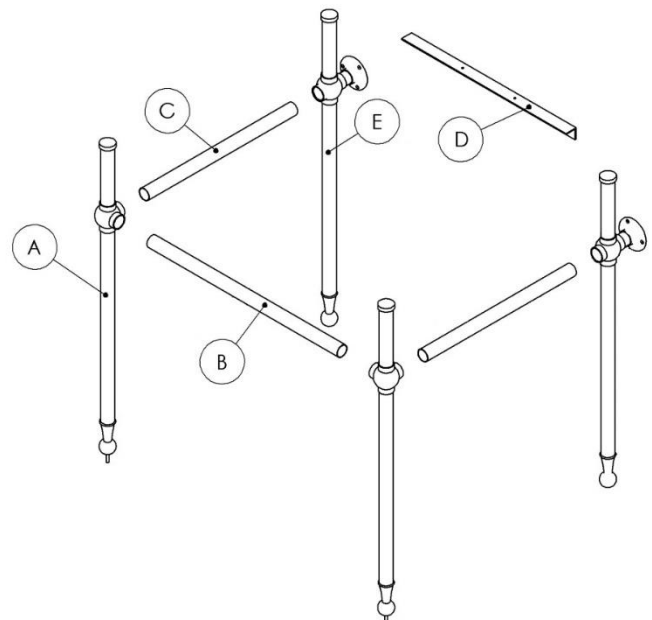
All assembly consist of inserting the tube into the necessary joint and rotating the tubes to expose the pre-drilled fixing hole.

Then Insert fixing screw (Z) and tighten using a cross head screw driver, making sure not to over tighten. (Fig 1)

Classic 2-Leg



Classic 4-Leg



HEALEY & LORD

CLASSIC/MODERN WASHSTAND INSTALLATION GUIDE

2-Leg Assembly

1. Inserting the Front Rail (B) in to the ball joints on the legs (A) as shown (Fig 1) (orientation identified by left and right labels).
2. If your model has a bottom front rail (orientation also identified by Top and Bottom labels). Insert this at the same time.
3. After both sides are secure, insert the Side rails (C) and secure the same way (Fig 3)
4. If applicable insert Bottom Side rails or Bottom Rack in the same way.

4-Leg Assembly

1. Inserting the Front Rail (B) in to the ball joints on the legs (A) as shown (Fig 1) (orientation identified by left and right labels).
2. If your model has a bottom front rail (orientation also identified by Top and Bottom labels). Insert this at the same time.
3. Assemble back frame in the same way (Fig 2).
4. After both frames are secure, insert the Side rails (C) in to the front frame and secure the same way (Fig 3)
5. If applicable insert Bottom Side rails or Bottom Rack in the same way (Fig 5)
6. Place back frame on to the rest of the washstand already assembled and secure in the same way.

