

HEALEY & LORD  
MODERN COLLECTION  
ELECTRIC HEATED  
TOWEL WARMER

HL610x  
x = Number of Rails

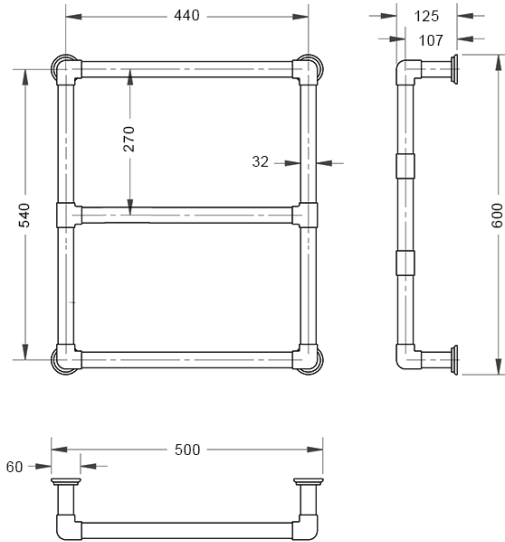


INSTALLATION GUIDE

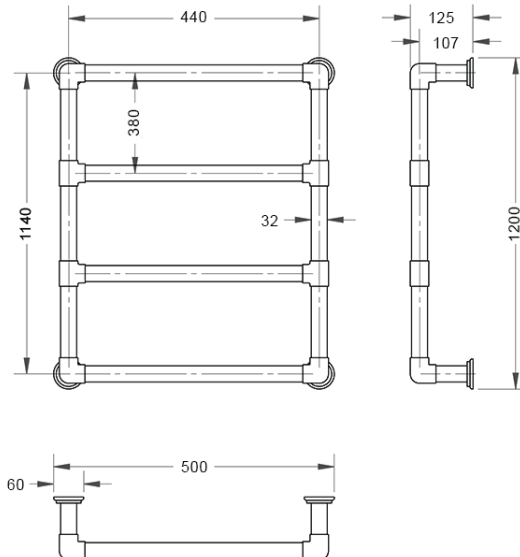
# HEALEY & LORD HL610x - INSTALLATION GUIDE

## DIMENSIONS

### HL6103 - 3 Rail Towel Warmer

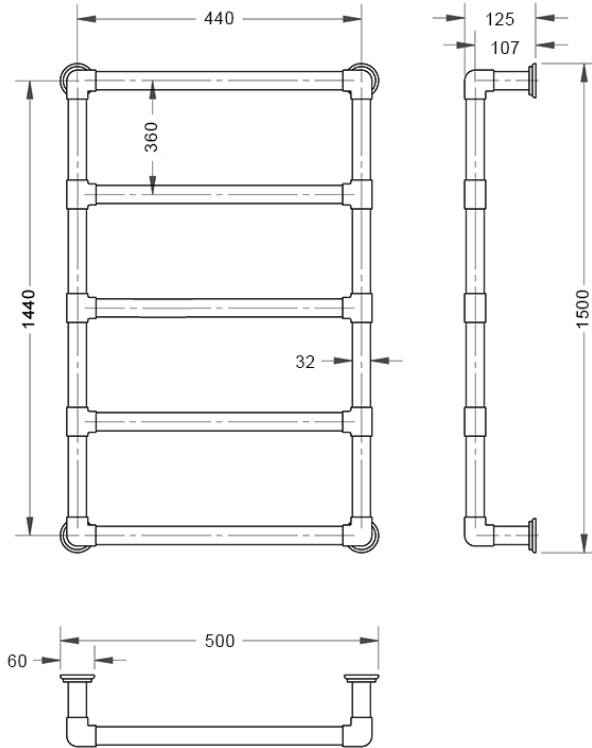


### HL6104 - 4 Rail Towel Warmer



# HEALEY & LORD HL610x - INSTALLATION GUIDE

## HL6105 - 5 Rail Towel Warmer



## INSPECTION

Upon receiving your towel warmer, please check the packaging and product for any damage prior to installation. If any damage is found, please report this to Healey & Lord so a replacement can be arranged under warranty.

# HEALEY & LORD HL610x – INSTALLATION GUIDE

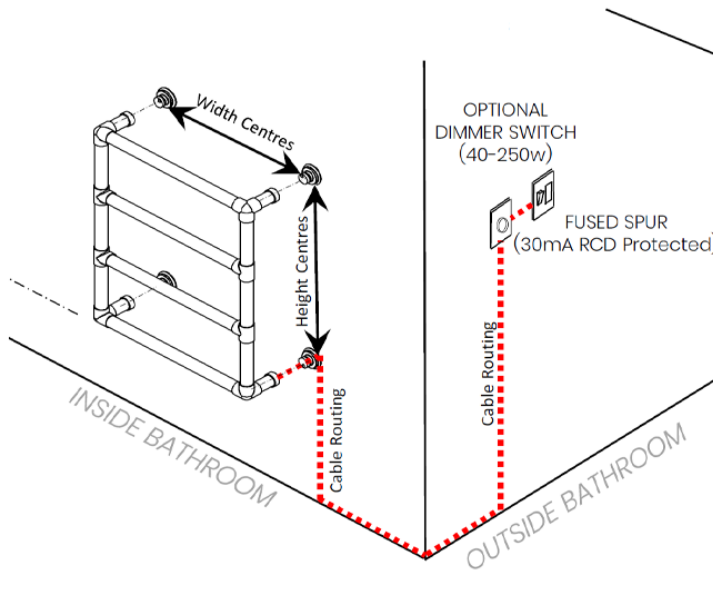
## POSITIONING

This electric heated towel warmer is IP67 rated (as supplied) and if installed inline with these guidelines, is suitable for all areas (Zones 1 & 2) of the bathroom.

## ELECTRICAL CONNECTION

Your Modern Collection towel warmer is fitted with an electric heating element – the power cable should be routed through the wall to the domestic power supply, which should be located outside of the bathroom (please refer to local building regulations).

The power cable can be connected directly to an appropriately fused spur which is protected by a 30mA RCD.



## CABLE OUTLET

This towel warmer is provided with a 3m electric heating element power cable, which is fed through the bottom right leg of the towel warmer.

## CABLE ROUTING

To maintain IP67 protection, do not cut the electric cable short to make a connection within the bathroom. The cable should be run to a power supply outside the bathroom – we recommend using a suitable conduit to simplify feeding the cable during installation

**Please note**, the cable should not be hard plastered into the wall, and is not suitable for use with solid walls.

## SAFETY WARNINGS

The heating element power cable should remain continuous to the power supply, and not be cut short to connect to “first fix” cabling inside the bathroom, unless measures are taken to keep the connections free from moisture.

Do not pull the cable, as the heating element could become damaged.

It is the installers responsibility to ensure the correct voltage is connected and provide a transformer where required.

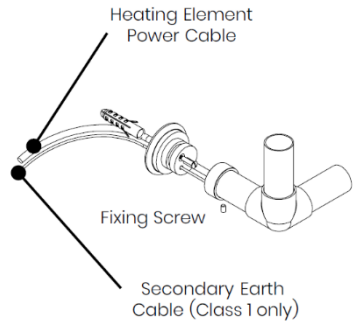
## USING MULTIPLE TOWEL WARMERS

Modern Collection electric heated towel warmers have a low power rating that allows multiple towel warmers to be connected to the same fused spur. We advise joining the cables in an accessible junction box for any future servicing requirements, before feeding a common cable to the fused spur.

# HEALEY & LORD HL610x – INSTALLATION GUIDE

## INSTALLATION

1. Remove the wall fixings from the legs of the towel warmer using a hex key to remove the fixing screw in each.
2. Measure the centre distances of your towel warmer, and mark all fixing holes using the wall fixings as a template.
3. Drill 5mm holes where marked and push wall plugs fully into the holes.
4. Feed as much cable into the wall as possible before locating the wall fixings against the wall. Ensure all wall fixings sit flat against the wall.
5. Push all 4 legs into the wall fixings, feeding the remaining power cable carefully into the wall.
6. Screw the fixing screws back into the wall fixings, taking care not to scratch the metalwork.
7. Connect the power cable to the power supply.
8. Test the connection by turning the power on, and checking the temperature after 1 hour.



## MAINTENANCE

We recommend cleaning your towel warmer daily. Use a neutral liquid soap with warm water, applied by a soft cloth, then rinse completely with water and dry any over-spray.